

Quick Lift®

UB/UBL SERIES MANUALLY PROPELLED MINI SCISSOR

Quick Lift mini scissors are the smart alternative to ladders and scaffolds. Their design and manufacture deliver uncompromised safety, benchmark performance, easy operation, outstanding reliability and life time economy.

Key Features

- Forklift pockets and tool box
- Compact footprint 1.2m x 0.7m
- Up to 200 operating cycles per full charge
- Spiral cable connection to the platform control unit
- Hour meter
- Non marking wheels
- Free-standing operation with rechargeable battery
- Standby power interface

Safety Features

- Emergency down valve
- Enabling control buttons
- Emergency stop button
- Back-up power for emergency descend
- Ground and platform control system
- Spirit level indicator
- Safety bars for maintenance
- Audible descend, tilt alerts and load sensor
- Low charge indicator
- Safety harness point
- Warning decals
- Auto wheel brakes

low level
access

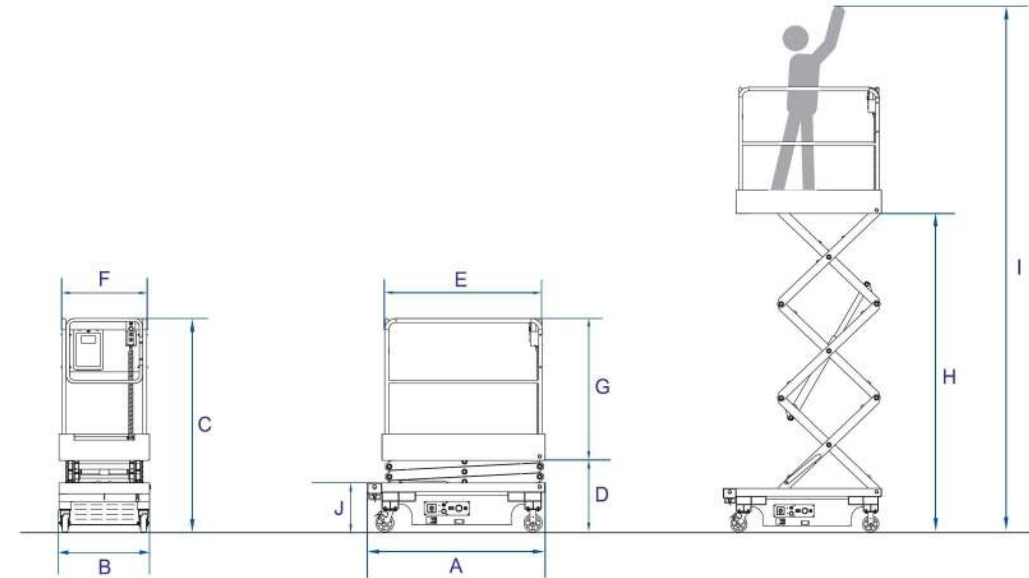


low level
access

KEY TECHNICAL SPECIFICATIONS

PRONTO

ACCESS EQUIPMENT



Model	UBL5*	UBL7*	UB6	UB8	UB10	UB12
Max Platform Height (m) H	1.5	2.0	1.8	2.5	3.0	3.9
Max Working Height (m) I	3.5	4.0	3.8	4.5	5.0	5.9
Rated Load (kg)	120	120	240	240	240	240
Stored Dimensions (m) A*B*C	1.1x0.41x1.65	1.1x0.41x1.75	1.2x0.7x1.7	1.2x0.7x1.8	1.4x0.75x1.81	1.4x0.75x1.9
Platform Dimensions (m) E*F*G	0.83x0.41x1.1	0.83x0.41x1.1	1.04x0.57x1.1	1.04x0.57x1.1	1.28x0.65x1.1	1.28x0.65x1.1
Battery (V/Ah)	12 / 80	12 / 80	12 / 110	12 / 110	12 / 110	12 / 110
Foot-Print (m)	0.3x0.7	0.3x0.7	0.6x0.95	0.6x0.95	0.65x1.15	0.65x1.15
Total Weight (kg)	129	149	270	315	420	490
Initial Platform Height (m) D	0.50	0.60	0.62	0.70	0.71	0.80
Initial Step Height (m) J	0.4	0.4	0.4	0.4	0.4	0.4
Platform Travel (m)	1.0	1.40	1.18	1.80	2.29	3.10
Power Rating (kW)	0.8	0.8	0.8	1.2	1.2	1.2
Max. Allowable Manual Force (N)	200	200	200	200	200	200

Company reserves the right to change product design & technical features without prior notice.
*UBL5 / UBL7 is light weight version of UB. UBL comes with smaller footprint, aluminum cage and outrigger wheels