

## UG SERIES / MANUALLY PROPELLED SLIDING RAIL

Employing the traditional sliding rail mast design, the UG series lift uses high quality parts with critical components being sourced from world leading suppliers. The special attention given to practical features and safety standards has created a machine with greater stability and safety by comparison with other similar portable personnel lift models.

### Key Features

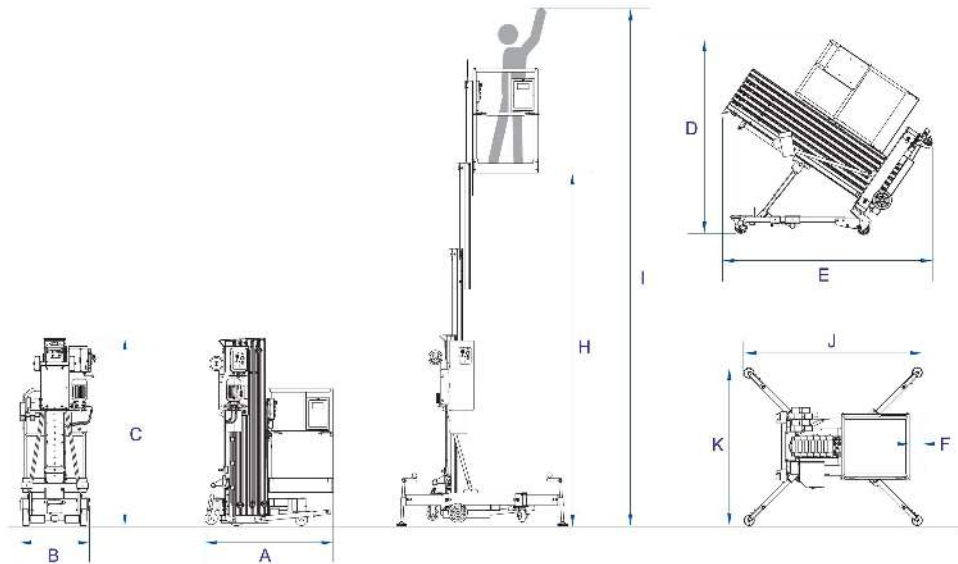
- Unique stainless-steel cage
- Maintenance-free battery with charge indicator (DC ver.)
- Loading facilities and tilt back support
- Non marking wheels
- Hour meter
- Laser position locator \*
- AC/DC model

### Safety Features

- Emergency down valve
- Enabling control buttons
- Emergency stop button
- Back-up battery (AC model) for descend
- Dual control system
- Spirit level indicator
- Descend alarm
- Low charge indicator (DC models)
- Interlocking outrigger switches
- Extruded outriggers
- Safety harness point
- Flashing lights & warning decals
- Wheel brakes
- Safety relief valves



## KEY TECHNICAL SPECIFICATIONS



Model	UG16	UG20	UG25	UG30	UG35	UG38	UG40
Max Platform Height (m) H	5.0	6.1	7.5	8.9	10.3	11.7	12.3
Max Working Height (m) I	7.0	8.1	9.5	10.9	12.3	13.7	14.3
Rated Load (kg)	200	159	159	159	136	136	136
Stored Dimensions (m) A*B*C	1,22X0,8X1,79	1,22X0,8X1,98	1,28X0,8X1,98	1,34X0,8X1,99	1,40X0,8X1,99	1,47X0,8X1,99	1,42X0,8X2,80
Tilted Dimensions (m) E*B*D	N/A	N/A	N/A	N/A	N/A	N/A	2,85X0,8X1,98
Platform Dimensions (m)	0,68x0,66x1,1	0,68x0,66x1,1	0,68x0,66x1,1	0,68x0,66x1,1	0,68x0,66x1,1	0,68x0,66x1,1	0,68x0,66x1,1
Voltage AC/DC Model (V)	230/12	230/12	230/12	230/12	230/12	230/12	230/12
Outrigger Foot-Print (m) K*J	1,55x1,75	1,55x1,75	1,55x1,75	1,55x1,75	2,06x2,26	2,34x2,70	2,33x2,58
Wall Access Distance (m) F	0,12	0,12	0,12	0,12	0,36	0,53	0,53
Total Weight AC/DC Model (kg)	315/357	340/382	360/402	380/422	415/457	455/497	515/557
Power Rating AC/DC Model (kW)	1,1/1,6	1,1/1,6	1,1/1,6	1,1/1,6	1,1/1,6	1,1/1,6	1,1/1,6

Company reserves the right to change product design & technical features without prior notice